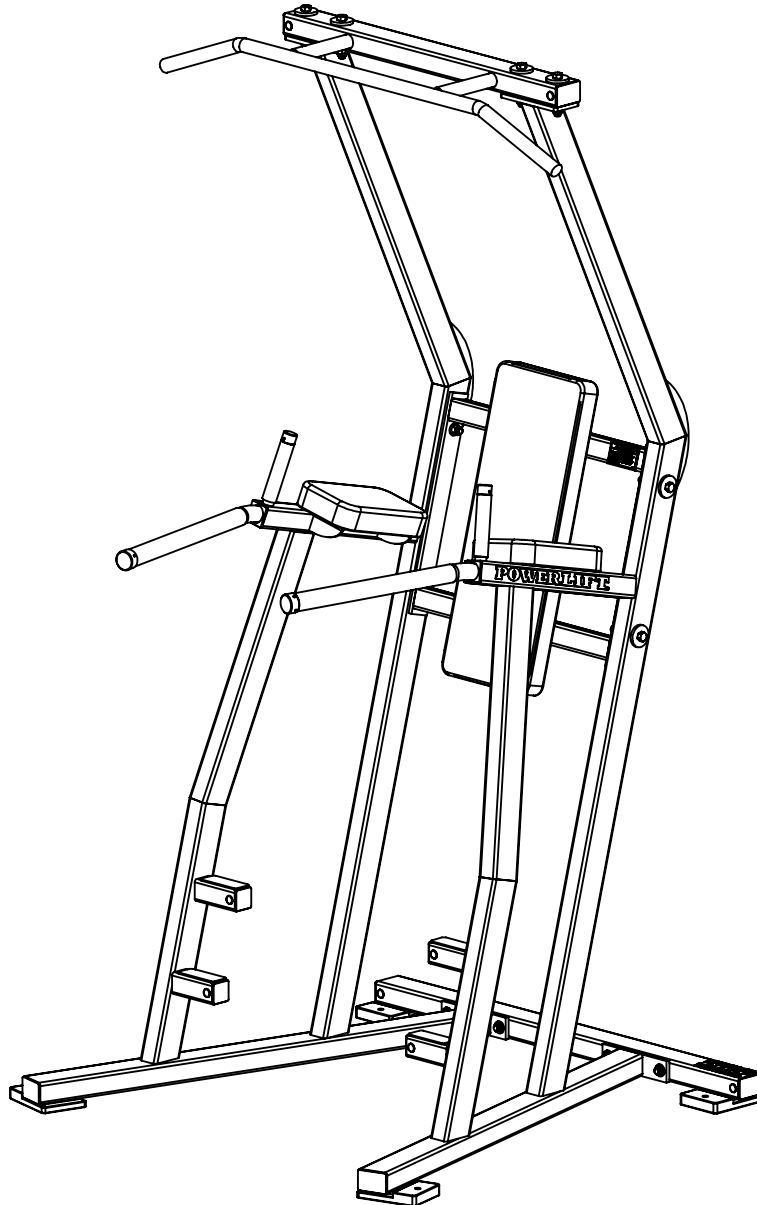


Body Weight Leg Raise



Assembly Notes:

Fasteners provided to assemble machine:

- (4) 1/2"X4" Bolts
- (8) 1/2"X3-1/2" Bolts
- (8) 3/8"X3-1/4" Bolts
- (4) 3/8"X1-1/2" Flange Bolts

Tools required (Not Included):

- 9/16" Open-End Wrench
- 9/16" Socket
- 3/4" Open-End Wrench
- 3/4" Socket

Note: When assembling unit DO NOT tighten any fasteners until specified.

POWER LIFT®

PART NUMBER

71495A_assembly cover

THE INFORMATION CONTAINED IN THIS DRAWING IS THE SOLE PROPERTY OF POWER LIFT ANY REPRODUCTION IN PART OR WHOLE WITHOUT THE WRITTEN PERMISSION OF POWER LIFT IS PROHIBITED

REV.

A

Date

7/24/19

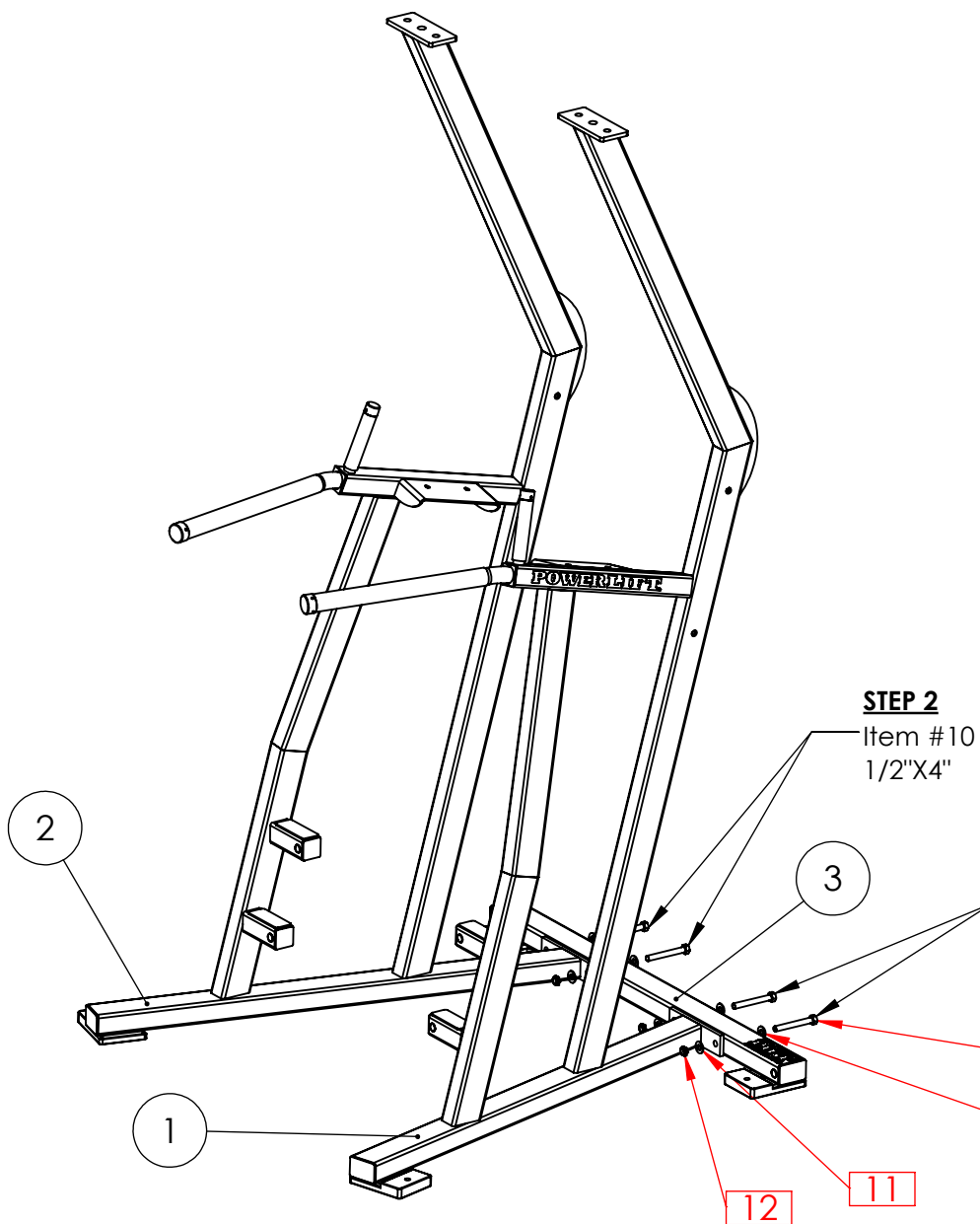
Instructions

- 1.) Assemble item 1 to item 3 using (2) 1/2"X4" bolts provided.
- 2.) Assemble item 2 to item 3 using (2) 1/2"X4" bolts provided.

Note: When assembling unit DO NOT tighten any fasteners until specified.

Hardware Detail

| Item No. | Part Number | Part Name | Qty |
|----------|-------------|------------------|-----|
| 10 | 99521 | 1/2"X4" BOLT | 4 |
| 11 | 99585 | 1/2" FLATWASHER | 8 |
| 12 | 99571 | 1/2"-13 THIN NUT | 4 |

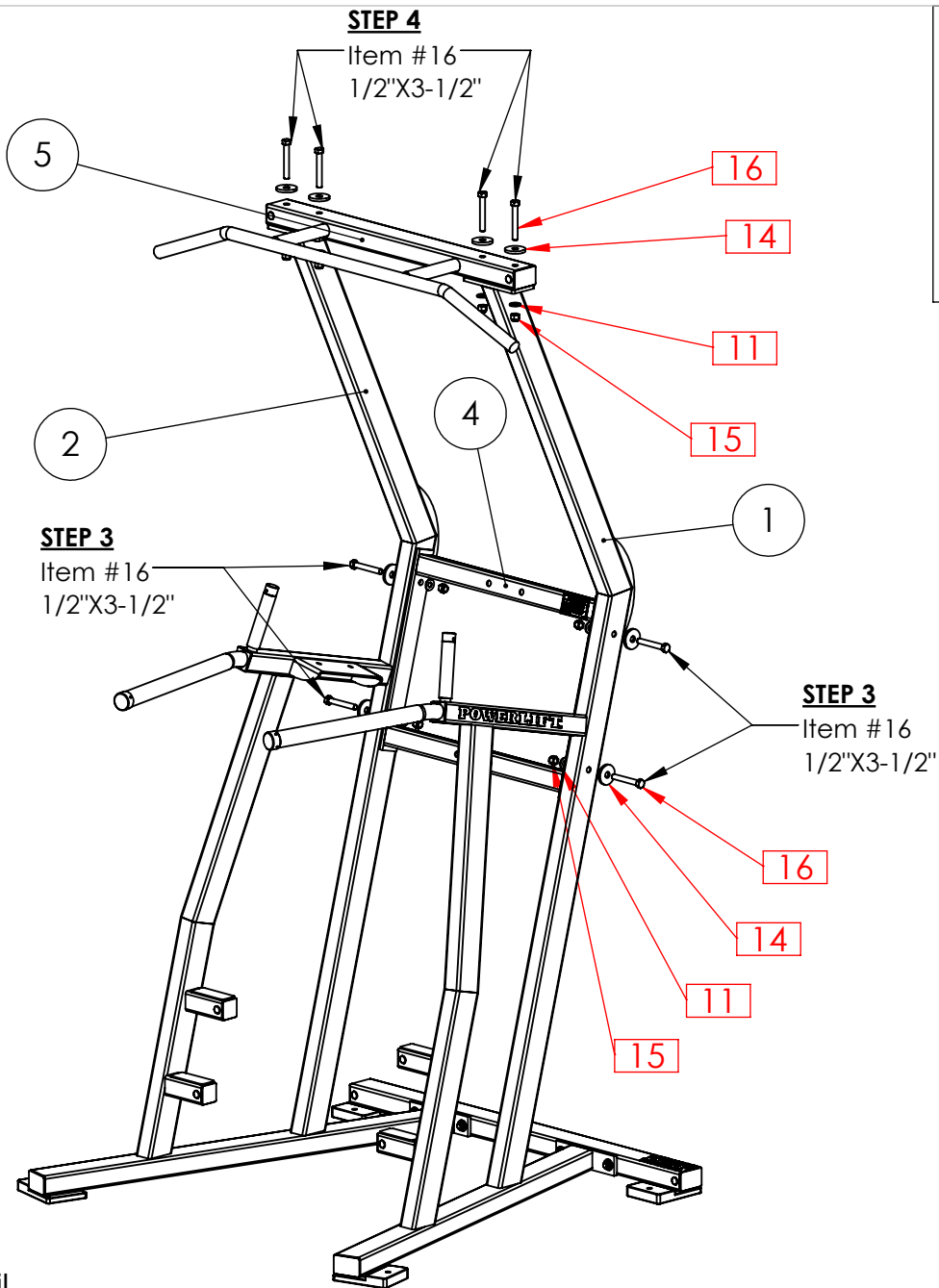


Frame Detail

| Item No. | Part Number | Part Name | Qty |
|----------|-------------|------------------|-----|
| 1 | 71510A | RIGHT SIDE FRAME | 1 |
| 2 | 71496A | LEFT SIDE FRAME | 1 |
| 3 | 71518 | BOTTOM BRACE | 1 |

POWER LIFT ®

| | |
|---|---------|
| PART NUMBER | |
| 71495A_page1 | |
| THE INFORMATION CONTAINED IN THIS DRAWING IS THE SOLE PROPERTY OF POWER LIFT ANY REPRODUCTION IN PART OR WHOLE WITHOUT THE WRITTEN PERMISSION OF POWER LIFT IS PROHIBITED | |
| REV. | Date |
| A | 7/24/19 |



- Instructions**
- 3.) Assemble item 4 to items 1 and 2 using (4) 1/2"X3-1/2" bolts provided.
 - 4.) Assemble item 5 to items 1 and 2 using (4) 1/2"X3-1/2" bolts provided.
 - 5.) Tighten all bolts starting from the bottom.

Hardware Detail

| Item No. | Part Number | Part Name | Qty |
|----------|-------------|-------------------|-----|
| 11 | 99585 | 1/2" FLATWASHER | 8 |
| 14 | 80010 | 1/2" PLATE SPACER | 8 |
| 15 | 99571 | 1/2"-13 THIN NUT | 8 |
| 16 | 99520 | 1/2"X3-1/2" BOLT | 8 |

Frame Detail

| Item No. | Part Number | Part Name | Qty |
|----------|-------------|------------------|-----|
| 1 | 71510A | RIGHT SIDE FRAME | 1 |
| 2 | 71496A | LEFT SIDE FRAME | 1 |
| 4 | 71515 | BACK BRACE | 1 |
| 5 | 71512 | PULL UP BAR | 1 |

POWER LIFT®

PART NUMBER

71495A_page2

THE INFORMATION CONTAINED IN THIS DRAWING IS THE SOLE PROPERTY OF POWER LIFT ANY REPRODUCTION IN PART OR WHOLE WITHOUT THE WRITTEN PERMISSION OF POWER LIFT IS PROHIBITED

REV.

A

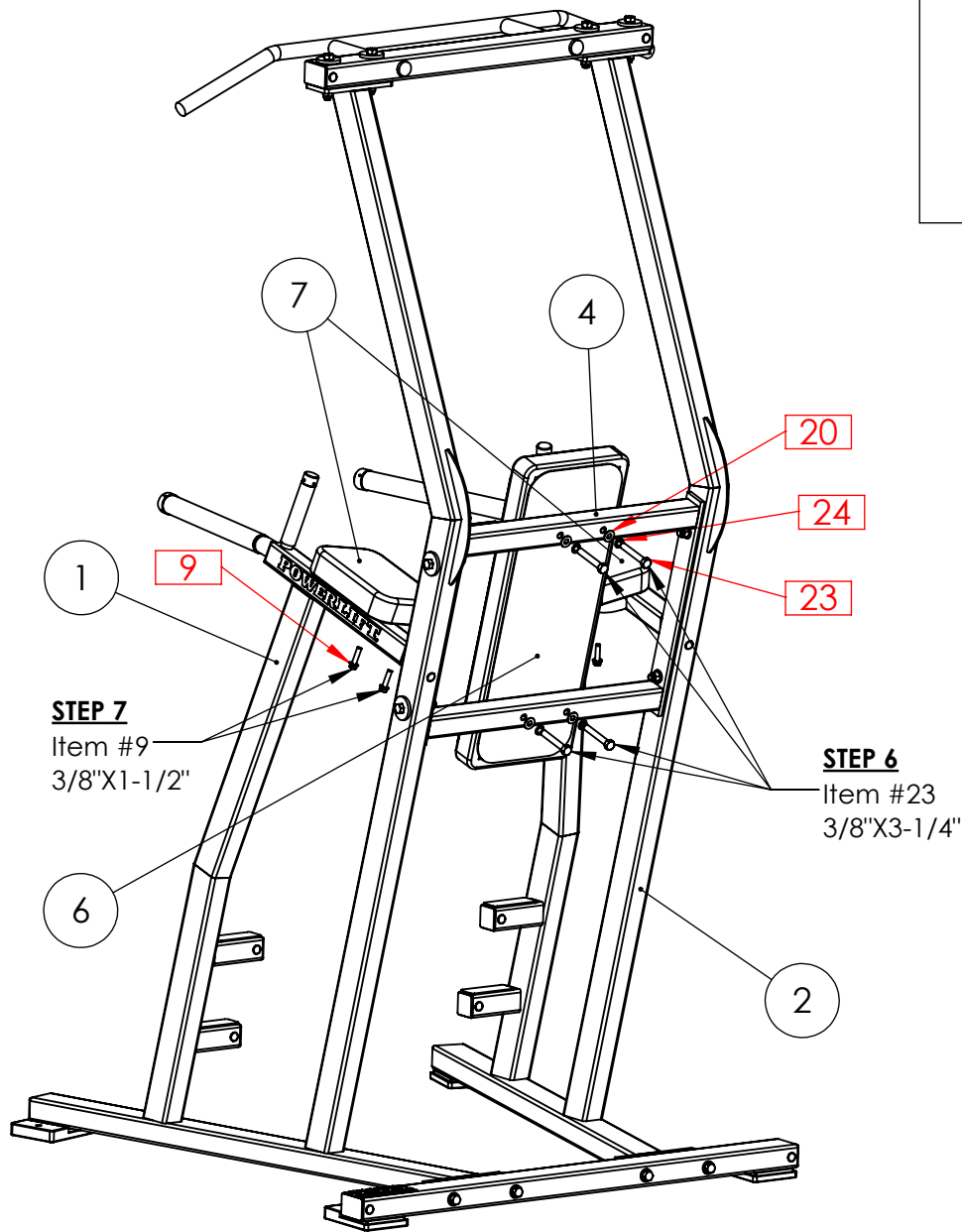
Date

7/24/19

Instructions

6.) Assemble item 6 to item 4 using (4) 3/8"X3-1/4" bolts provided. (Tighten bolts, but DO NOT over tighten bolts into pads.)

7.) Assemble items 7 to item 1 and item 2 using (4) 3/8"X1-1/2" bolts provided. (Tighten bolts, but DO NOT over tighten bolts into pads.)



Hardware Detail

| Item No. | Part Number | Part Name | Qty |
|----------|-------------|-------------------------|-----|
| 9 | 99441 | 3/8"X1-1/2" FLANGE BOLT | 4 |
| 20 | 99531 | 3/8" FLATWASHER | 4 |
| 23 | 99613 | 3/8"X3-1/4" BOLT | 4 |
| 24 | 99530 | 3/8" LOCK WASHER | 4 |

Frame Detail

| Item No. | Part Number | Part Name | Qty |
|----------|-------------|------------------|-----|
| 1 | 71510A | RIGHT SIDE FRAME | 1 |
| 2 | 71496A | LEFT SIDE FRAME | 1 |
| 4 | 71515 | BACK BRACE | 1 |
| 6 | 30060 | BACK PAD | 1 |
| 7 | 99652 | ARM PAD | 2 |

POWER LIFT ®

PART NUMBER

71495A_page3

THE INFORMATION CONTAINED IN THIS DRAWING IS THE SOLE PROPERTY OF POWER LIFT ANY REPRODUCTION IN PART OR WHOLE WITHOUT THE WRITTEN PERMISSION OF POWER LIFT IS PROHIBITED

REV.

A

Date

7/24/19