

Cable Routing Instructions

Notes:

- Leave pulleys in place, and only remove as needed for each routing step.
- Pull cable through machine as you route the cable. Be very careful not to kink the cable during the routing, as this will shorten cable life.

Tools Required:

- 6' Ladder
- Needle Nose Pliers
- Two 9/16" Wrenches
- Two 3/4" Wrenches

1.) Remove pulley 2 using two 9/16" wrenches, and pull cable between pulleys 1 & 2. Then replace pulley 2.

2.) Pull cable over pulleys 3 & 6.

3.) Remove pulley 7 using two 9/16" wrenches, route cable under pulley 7, and replace pulley 7.

4.) Remove pulley 5 using two 9/16" wrenches, route cable through pulley 5 & 6. Replace pulley 5. Route cable over pulley 4.

5.) Remove pulley 8 using two 9/16" wrenches, route cable under pulley 8, and replace pulley 8.

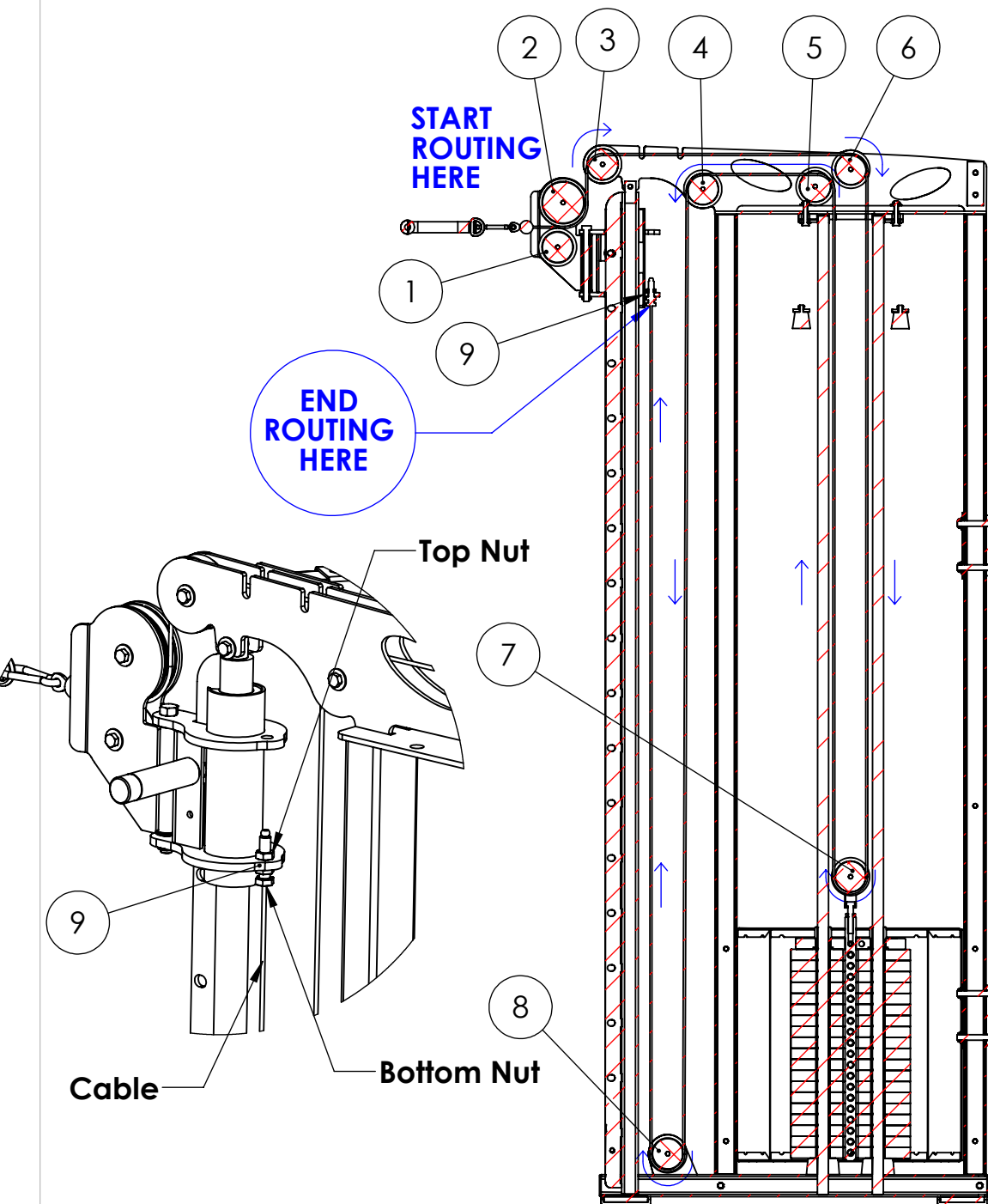
6.) Recheck all pulleys to make sure cable is sitting in groove of pulley.

7.) Recheck all pulley bolts to make sure they are tight.

8.) Attach cable to item 9 and tighten top nut until there is no more slack in the cable.

9.) Tighten bottom nut and top nut together using two 3/4" wrenches.

10.) Attach handle to pulley and operate unit to make sure it pulls smoothly. **(Note: If rough, recheck pulleys to make sure cable is in groove.)**



POWER LIFT®

PART NUMBER

63600B Cable Routing

THE INFORMATION CONTAINED IN THIS DRAWING IS THE SOLE PROPERTY OF POWER LIFT ANY REPRODUCTION IN PART OR WHOLE WITHOUT THE WRITTEN PERMISSION OF POWER LIFT IS PROHIBITED

REV.

A

Date

6/20/19