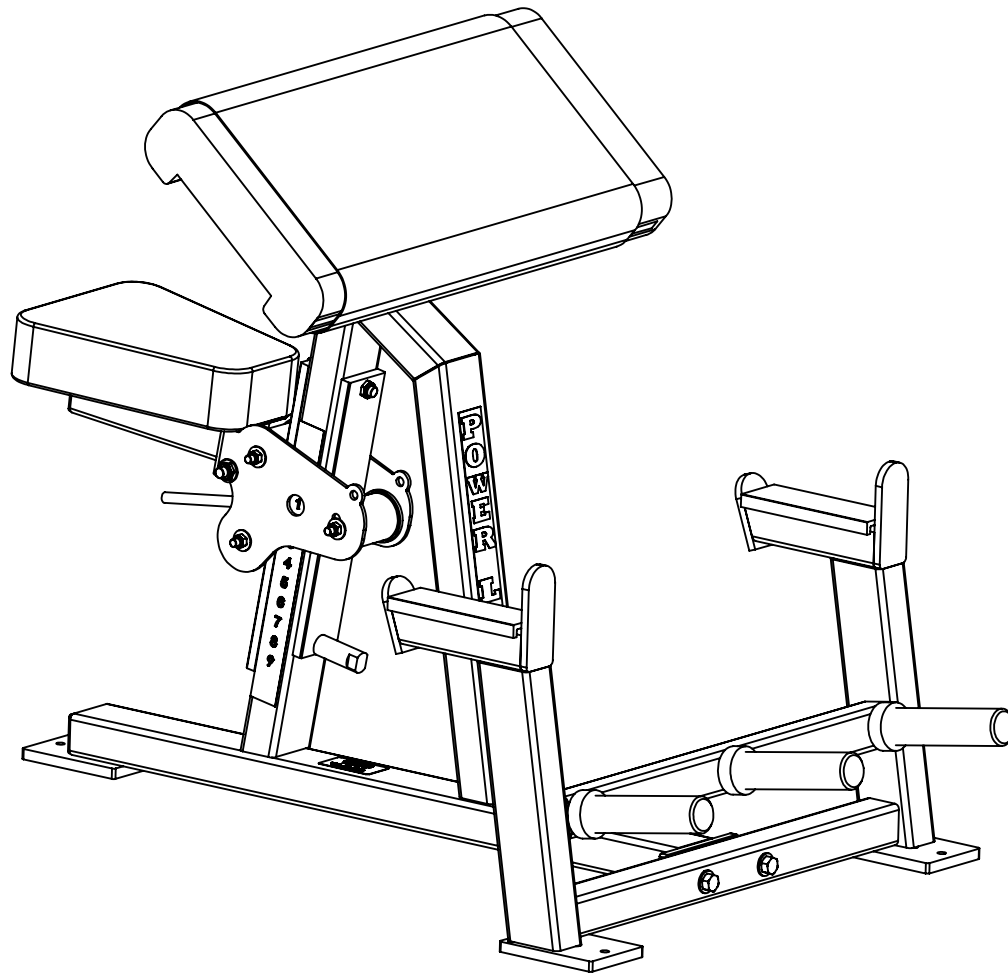


# Preacher Curl Bench



## Assembly Notes:

Fasteners provided to assemble machine:

(2) 1/2"X3" Bolts

(2) 3/8"X2-3/4" Flange Bolts

(4) 3/8"X1-1/2" Flange Bolts

Tools required (Not Included):

- 9/16" Open-End Wrench

- 9/16" Socket

- 3/4" Open-End Wrench

- 3/4" Socket

**POWER LIFT** ®

PART NUMBER

**46600\_assembly cover**

THE INFORMATION CONTAINED IN THIS DRAWING IS THE SOLE PROPERTY OF POWER LIFT ANY REPRODUCTION IN PART OR WHOLE WITHOUT THE WRITTEN PERMISSION OF POWER LIFT IS PROHIBITED

REV.

A

Date

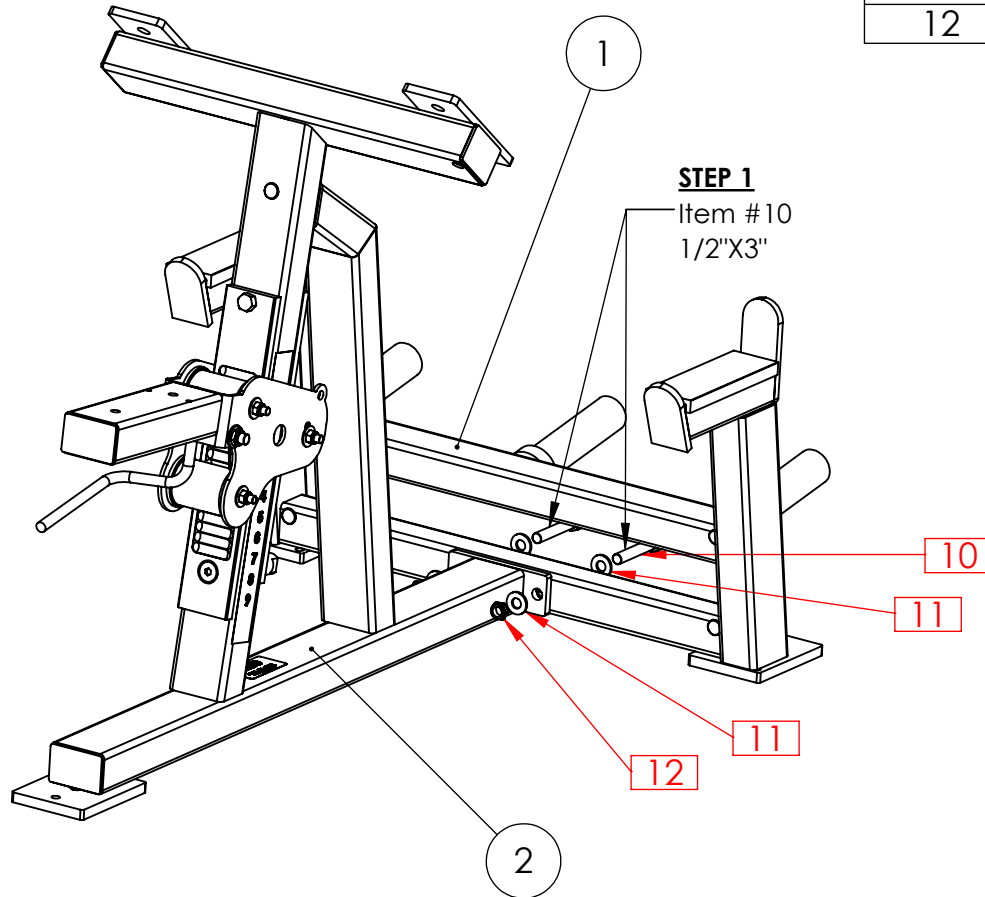
7/26/19

Instructions

1.) Assemble item 1 to item 2 using (2) 1/2"X3" bolts provided.  
(Tighten bolts)

Hardware Detail

Item No.	Part Number	Part Name	Qty
10	99603	1/2"X3" BOLT	2
11	99585	1/2" FLATWASHER	4
12	99571	1/2"-13 THIN NUT	2



Frame Detail

Item No.	Part Number	Part Name	Qty
1	46593	BAR HOLDER	1
2	46598	SEAT FRAME	1

**POWER LIFT** ®

PART NUMBER

**46600\_page1**

THE INFORMATION CONTAINED IN THIS DRAWING IS THE SOLE PROPERTY OF POWER LIFT ANY REPRODUCTION IN PART OR WHOLE WITHOUT THE WRITTEN PERMISSION OF POWER LIFT IS PROHIBITED

REV.

A

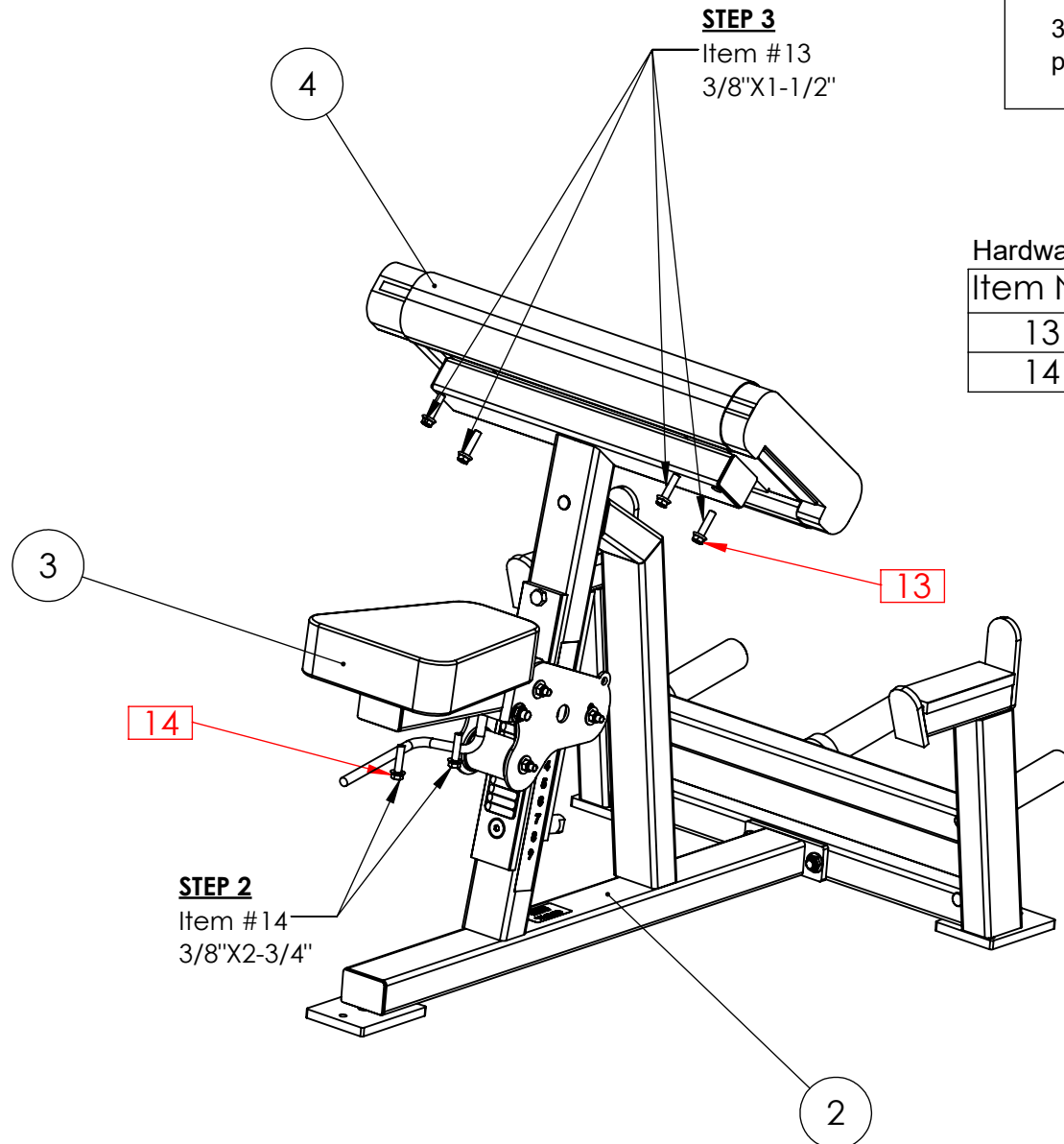
Date

7/26/19

**Instructions**

2.) Assemble item 3 to item 2 using (2) 3/8"X2-3/4" flange bolts provided. (Tighten bolts, but DO NOT over tighten bolts into pad.)

3.) Assemble item 4 to item 2 using (4) 3/8"X1-1/2" flange bolts provided. (Tighten bolts, but DO NOT over tighten bolts into pad.)



**Hardware Detail**

Item No.	Part Number	Part Name	Qty
13	99441	3/8"X1-1/2" FLANGE BOLT	4
14	99486	3/8"X2-3/4" FLANGE BOLT	2

**Frame Detail**

Item No.	Part Number	Part Name	Qty
2	46598	SEAT FRAME	1
3	80135	SEAT PAD	1
4	80136	ARM PAD	1

**POWER LIFT®**

PART NUMBER

**46600\_page2**

THE INFORMATION CONTAINED IN THIS DRAWING IS THE SOLE PROPERTY OF POWER LIFT ANY REPRODUCTION IN PART OR WHOLE WITHOUT THE WRITTEN PERMISSION OF POWER LIFT IS PROHIBITED

REV.

A

Date

7/26/19