

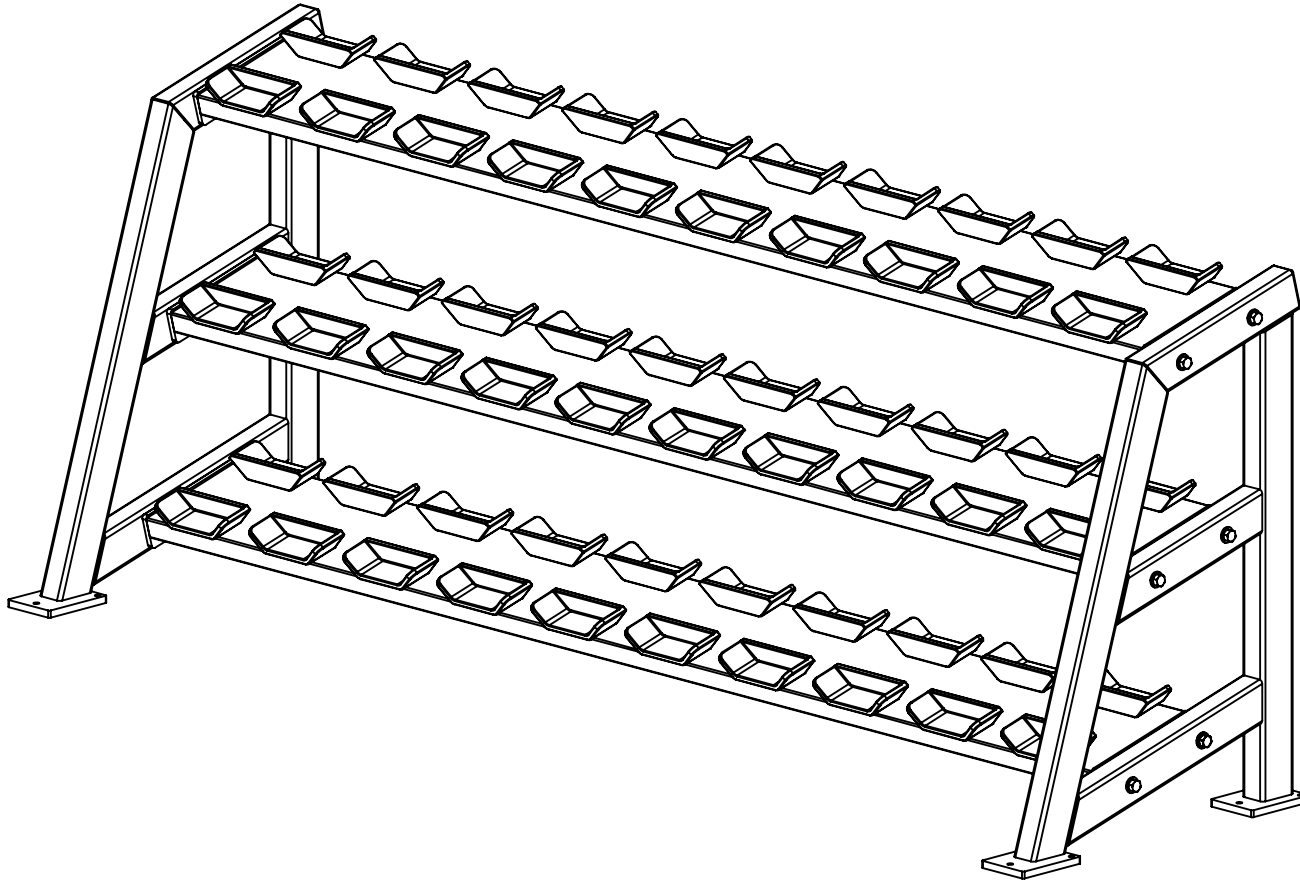
Dumbbell Rack

Assembly Notes:

Fasteners provided to assemble machine:
(12) 1/2"X3-1/2" Bolts

Tools required (Not Included):

- 1/2" Socket (For Saddle Adjustment)
- 3/4" Open-End Wrench
- 3/4" Socket



POWER LIFT ®

PART NUMBER

33037C_assembly cover

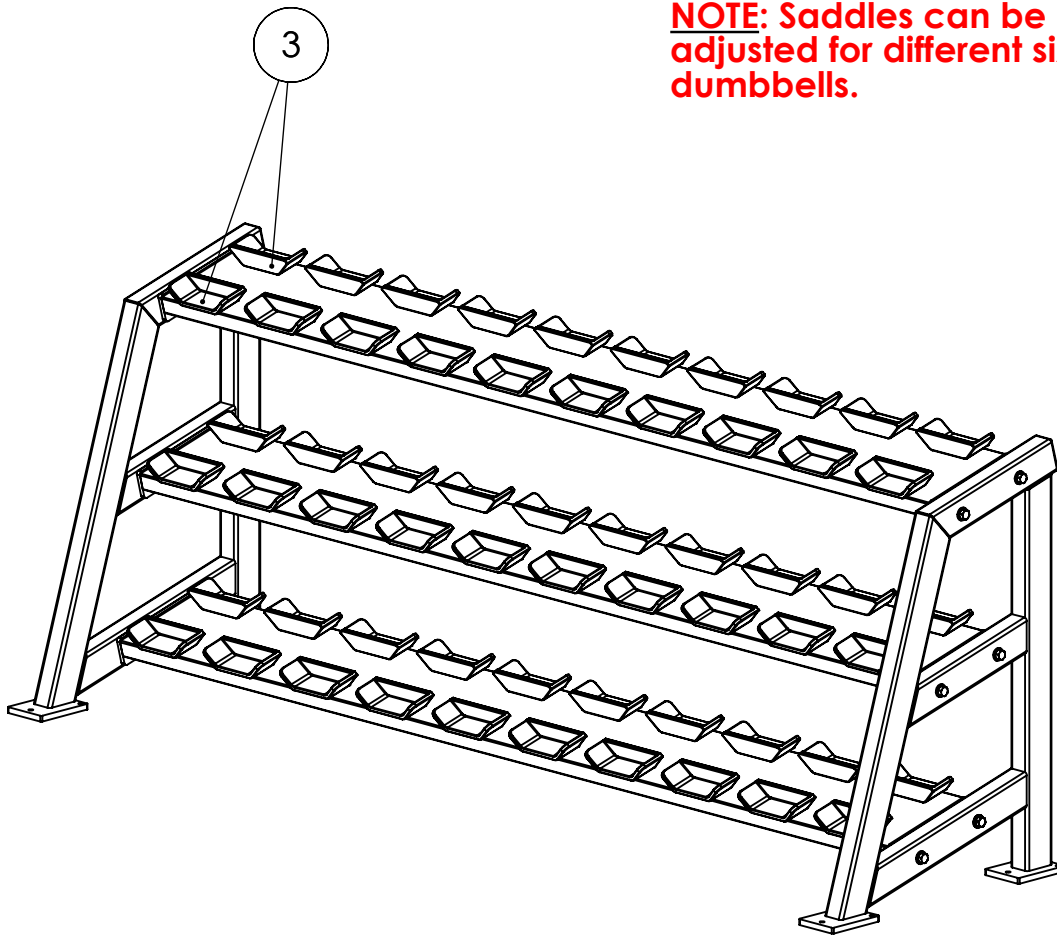
THE INFORMATION CONTAINED IN THIS DRAWING IS THE SOLE
PROPERTY OF POWER LIFT ANY REPRODUCTION IN PART OR WHOLE
WITHOUT THE WRITTEN PERMISSION OF POWER LIFT IS PROHIBITED

REV.

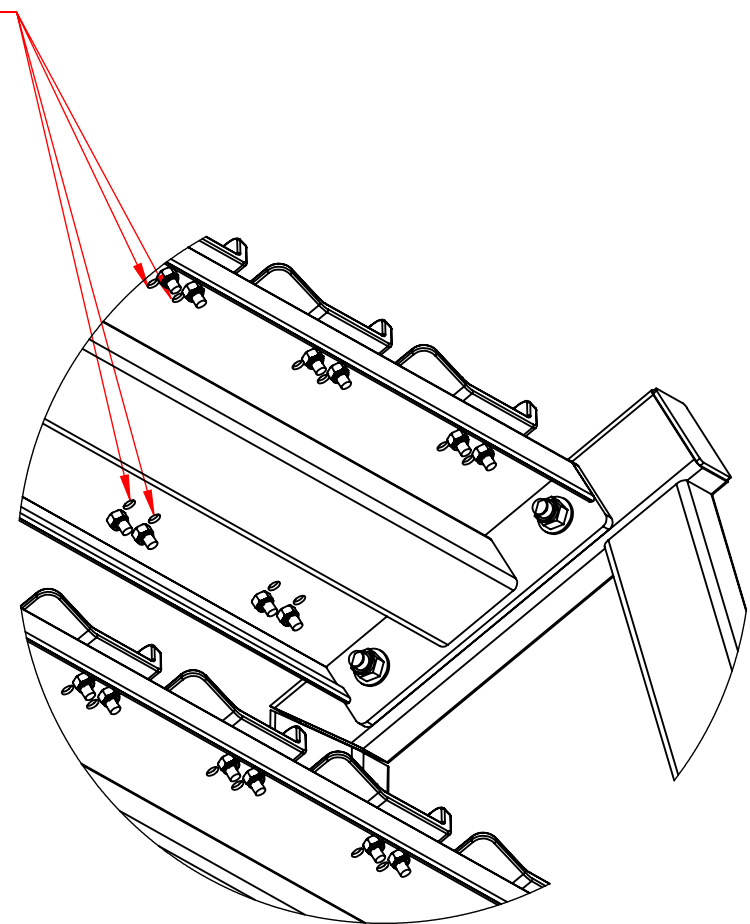
A

Date

7/24/19



NOTE: Saddles can be adjusted for different size dumbbells.



Underside

Frame Detail

Item No.	Part Number	Part Name	Qty
3	33136	DUMBBELL SADDLE	60

POWER LIFT®

PART NUMBER

33037C_page2

THE INFORMATION CONTAINED IN THIS DRAWING IS THE SOLE PROPERTY OF POWER LIFT ANY REPRODUCTION IN PART OR WHOLE WITHOUT THE WRITTEN PERMISSION OF POWER LIFT IS PROHIBITED

REV.

A

Date

7/24/19